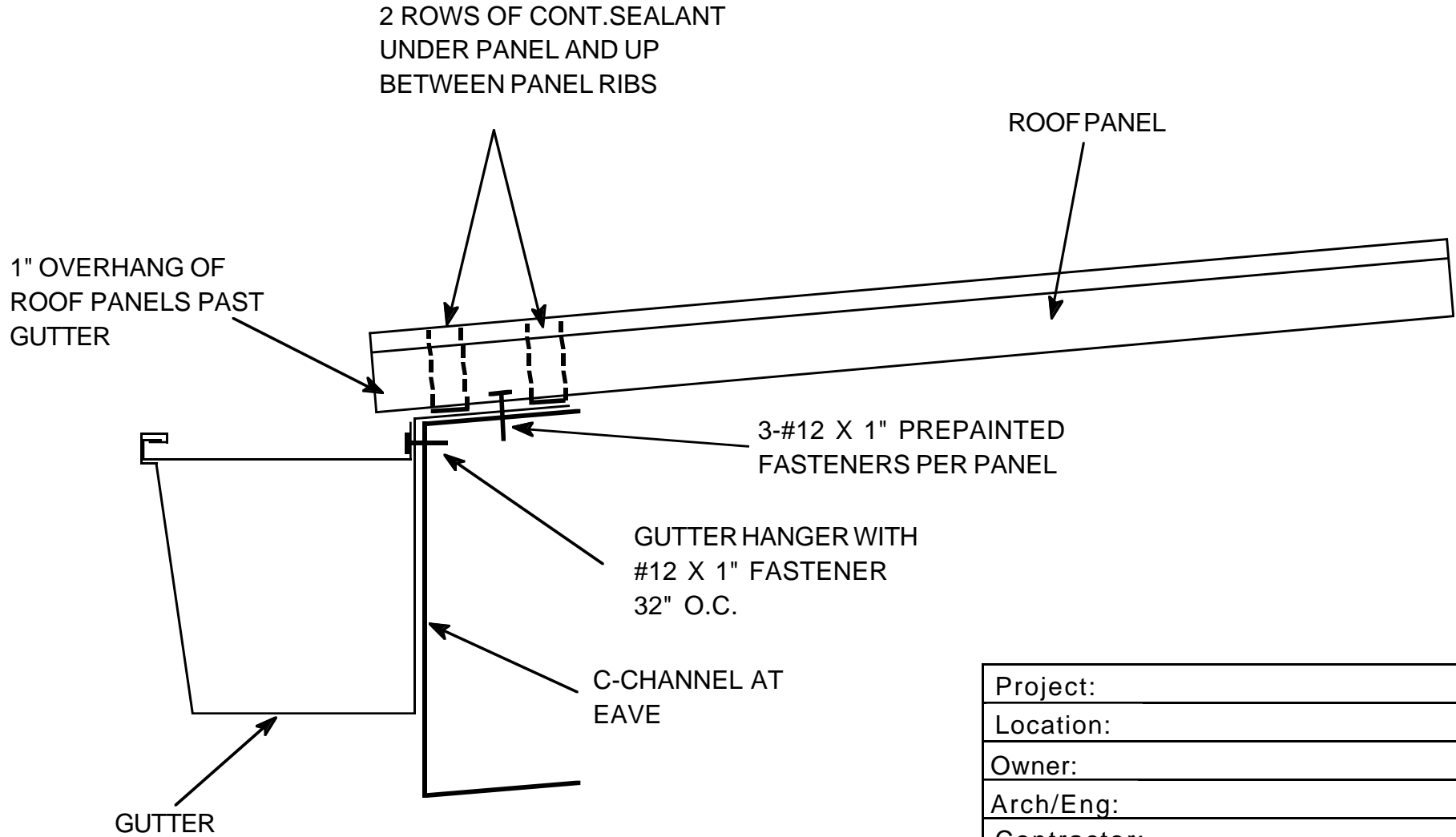


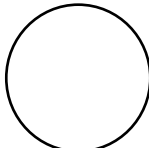
○ **TYP. GABLE DETAIL**

Project:	
Location:	
Owner:	
Arch/Eng:	
Contractor:	
Drawn By:	Page: of


Architectural Metal Products, Inc.
1088 Bishop St. Suite 1227 • Honolulu, HI 96813 • Tel: (808)528-1790 • Fax: (808)528-1044
 3400 International Way • Fairbanks, AK 99701 • Tel: (907) 456-3089 • Fax: (907)456-4079
 E-Mail: amp@polarnet.com • Toll Free: 1-800-267-1296



Project:	
Location:	
Owner:	
Arch/Eng:	
Contractor:	
Drawn By:	Page: of

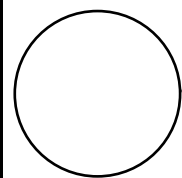
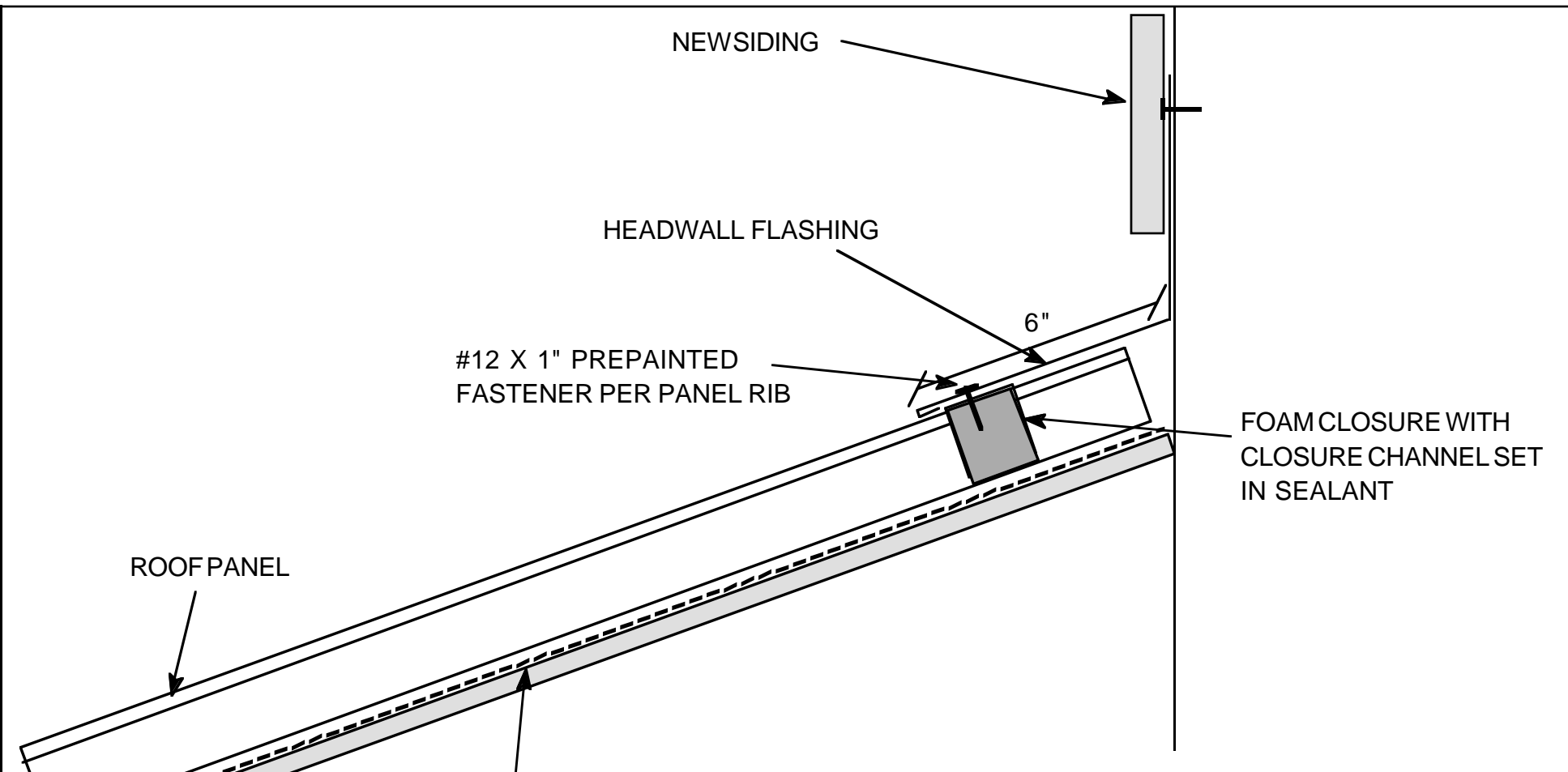


TYPICAL EAVE/GUTTER DETAIL



Architectural Metal Products, Inc.

1088 Bishop St. Suite 1227 • Honolulu, HI 96813 • Tel: (808)528-1790 • Fax: (808)528-1044
 3400 International Way • Fairbanks, AK 99701 • Tel: (907) 456-3089 • Fax: (907)456-4079
 E-Mail: amp@polarnet.com • Toll Free: 1-800-267-1296



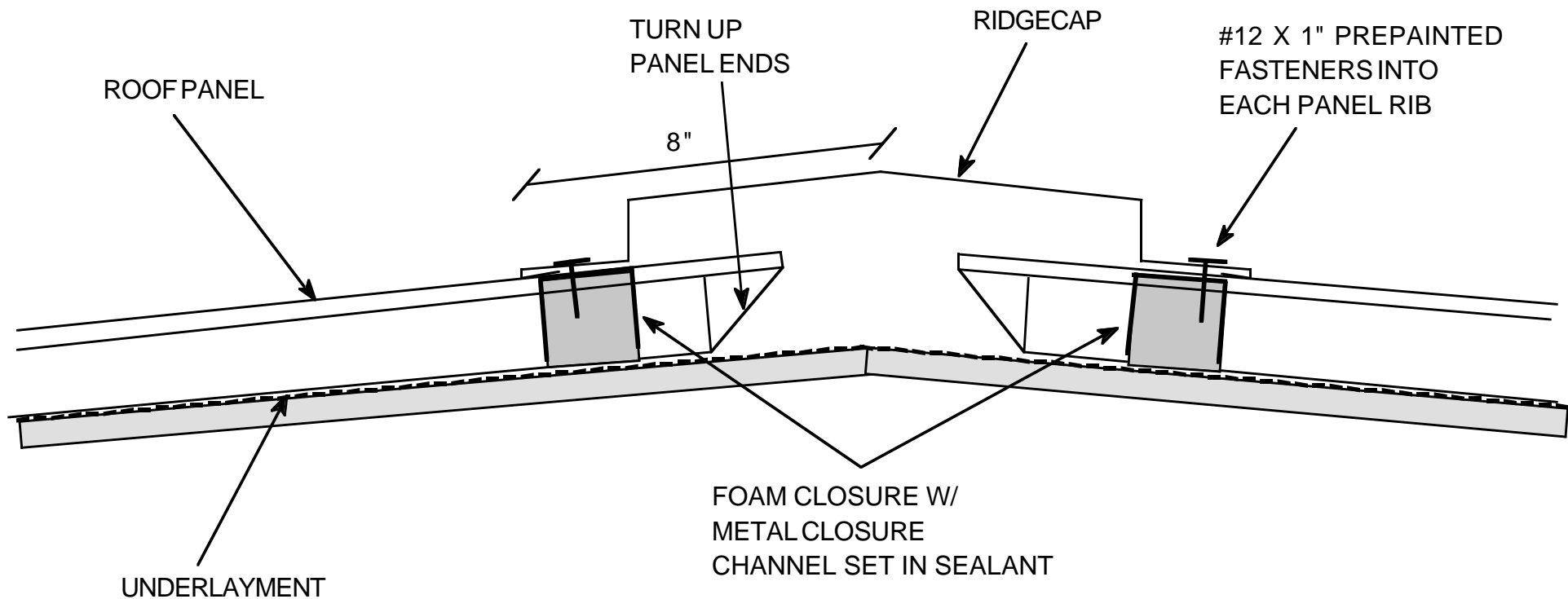
TYPICAL HEADWALL DETAIL

Project:	
Location:	
Owner:	
Arch/Eng:	
Contractor:	
Drawn By:	Page: of

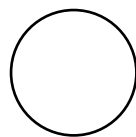


Architectural Metal Products, Inc.

1088 Bishop St. Suite 1227 • Honolulu, HI 96813 • Tel: (808)528-1790 • Fax: (808)528-1044
 3400 International Way • Fairbanks, AK 99701 • Tel: (907) 456-3089 • Fax: (907)456-4079
 E-Mail: amp@polarnet.com • Toll Free: 1-800-267-1296



Project:	
Location:	
Owner:	
Arch/Eng:	
Contractor:	
Drawn By:	Page: of

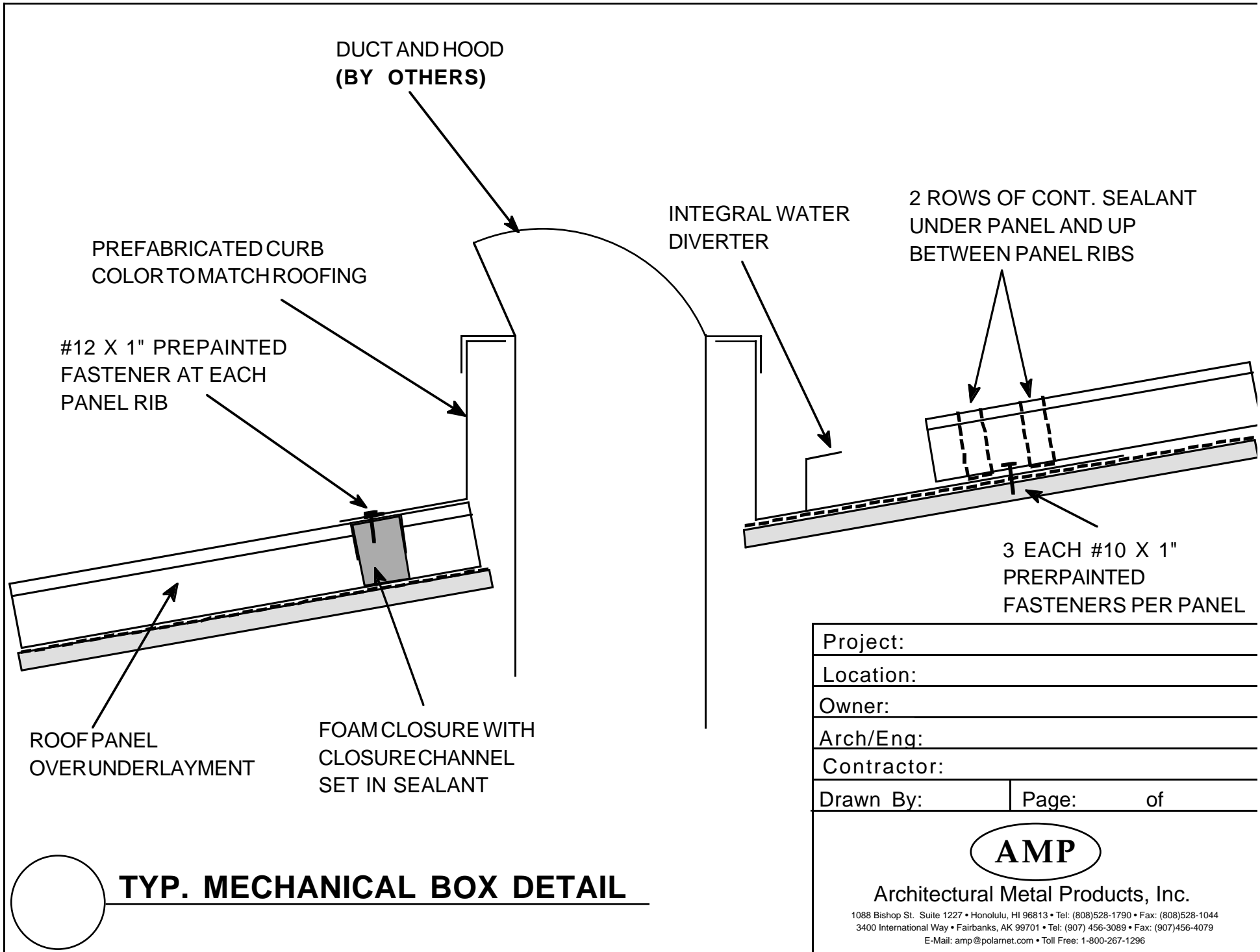


TYPICAL RIDGE CAP DETAIL



Architectural Metal Products, Inc.

1088 Bishop St. Suite 1227 • Honolulu, HI 96813 • Tel: (808)528-1790 • Fax: (808)528-1044
 3400 International Way • Fairbanks, AK 99701 • Tel: (907) 456-3089 • Fax: (907)456-4079
 E-Mail: amp@polarnet.com • Toll Free: 1-800-267-1296



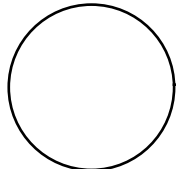
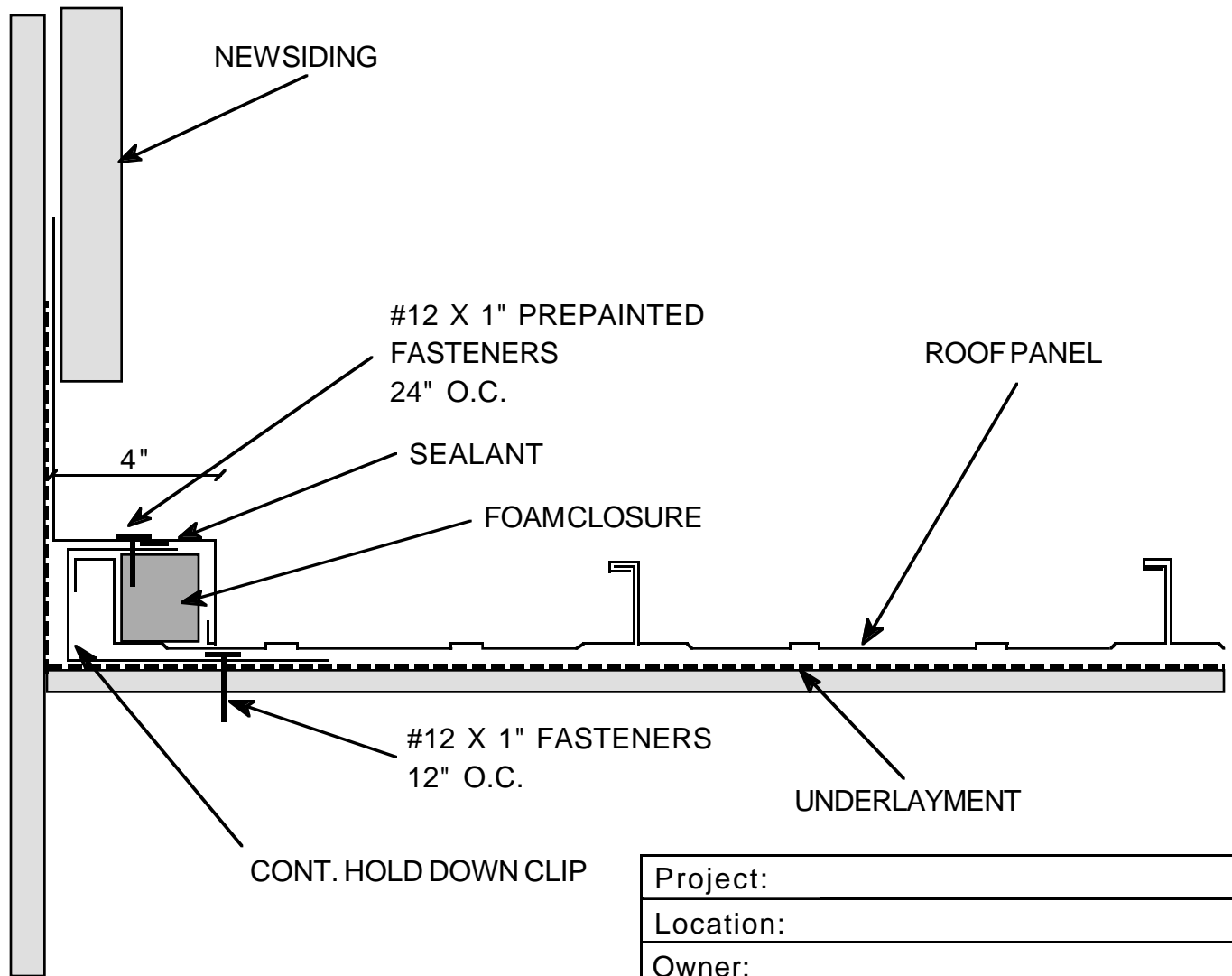
Project:	
Location:	
Owner:	
Arch/Eng:	
Contractor:	
Drawn By:	Page: of



Architectural Metal Products, Inc.

1088 Bishop St. Suite 1227 • Honolulu, HI 96813 • Tel: (808)528-1790 • Fax: (808)528-1044
 3400 International Way • Fairbanks, AK 99701 • Tel: (907) 456-3089 • Fax: (907)456-4079
 E-Mail: amp@polarnet.com • Toll Free: 1-800-267-1296

TYP. MECHANICAL BOX DETAIL



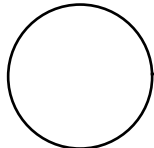
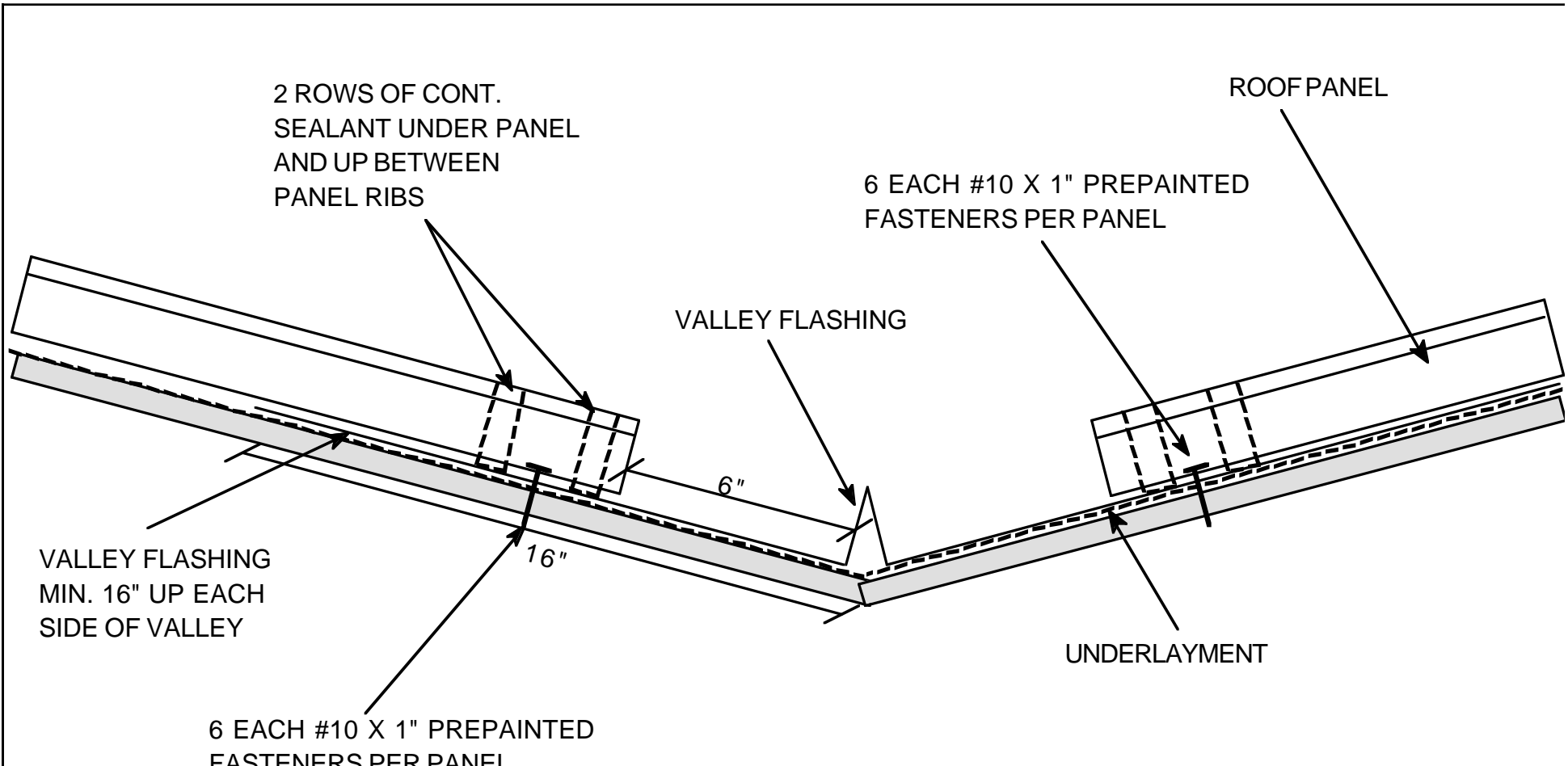
TYP. SIDEWALL DETAIL

Project:	
Location:	
Owner:	
Arch/Eng:	
Contractor:	
Drawn By:	Page: of



Architectural Metal Products, Inc.

1088 Bishop St. Suite 1227 • Honolulu, HI 96813 • Tel: (808)528-1790 • Fax: (808)528-1044
 3400 International Way • Fairbanks, AK 99701 • Tel: (907) 456-3089 • Fax: (907)456-4079
 E-Mail: amp@polarnet.com • Toll Free: 1-800-267-1296



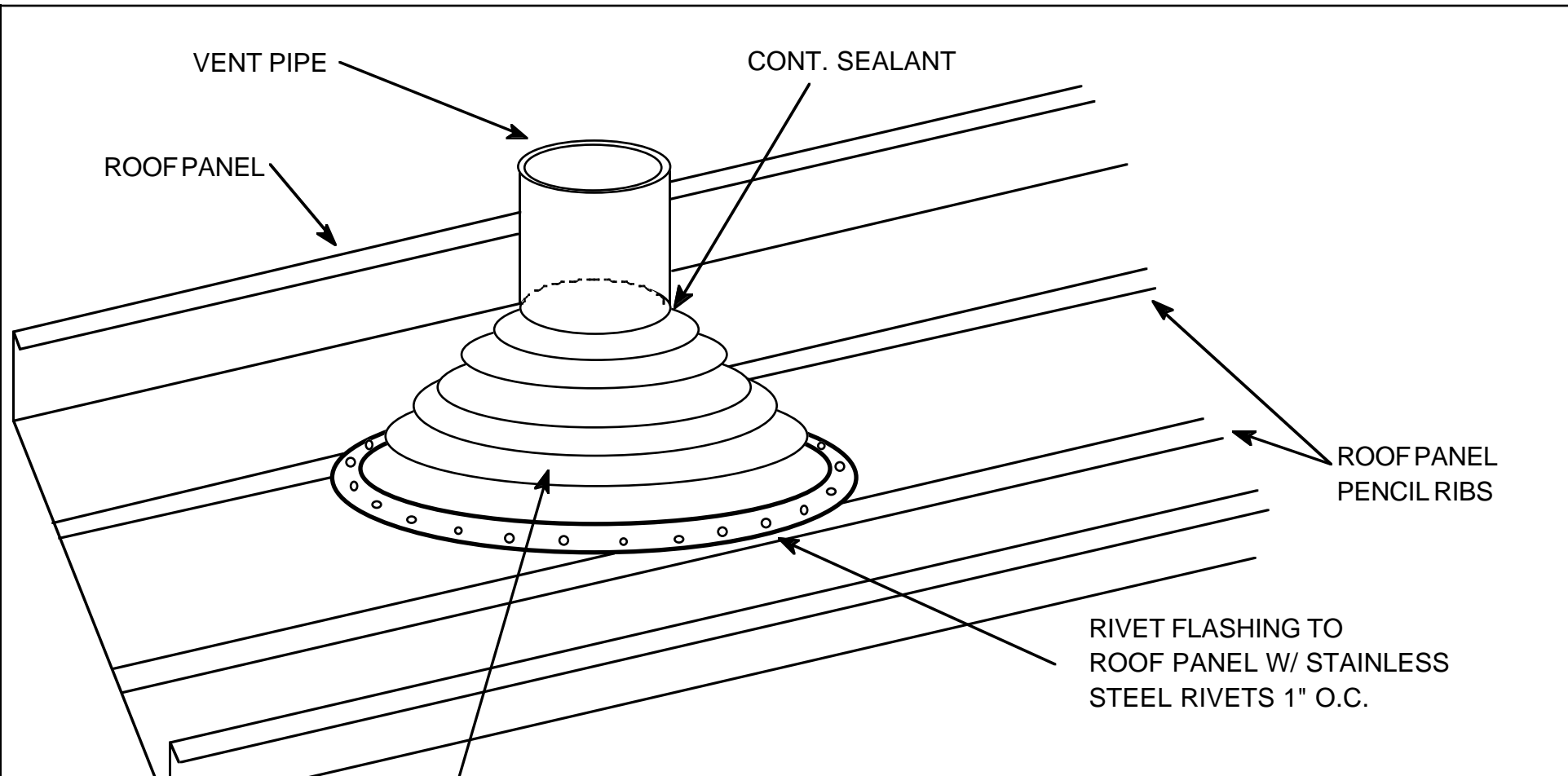
TYP. VALLEY DETAIL

Project:	
Location:	
Owner:	
Arch/Eng:	
Contractor:	
Drawn By:	Page: of

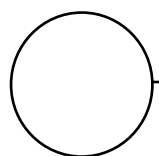


Architectural Metal Products, Inc.

1088 Bishop St. Suite 1227 • Honolulu, HI 96813 • Tel: (808)528-1790 • Fax: (808)528-1044
 3400 International Way • Fairbanks, AK 99701 • Tel: (907) 456-3089 • Fax: (907)456-4079
 E-Mail: amp@polarnet.com • Toll Free: 1-800-267-1296



Project:	
Location:	
Owner:	
Arch/Eng:	
Contractor:	
Drawn By:	Page: of

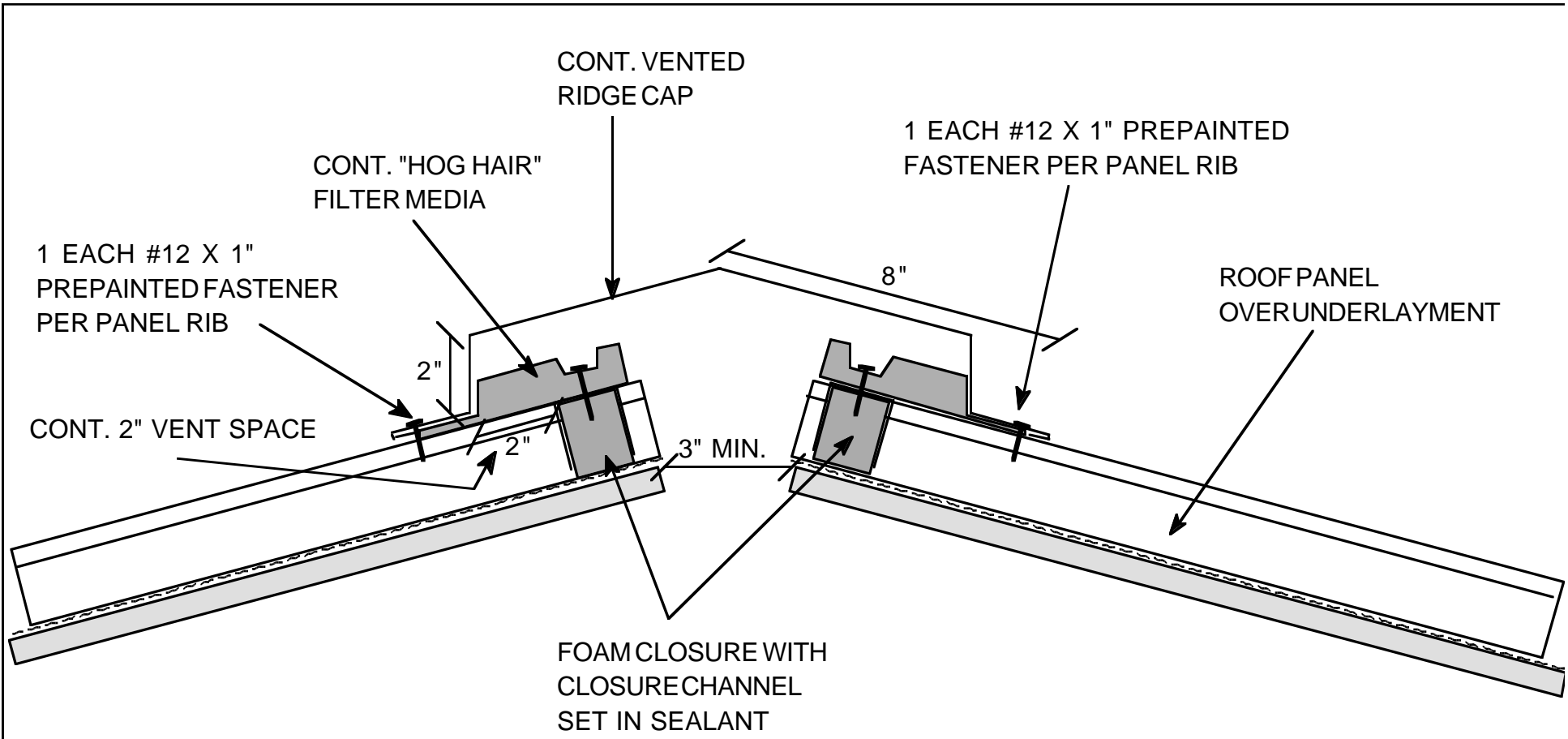


TYP. VENT PIPE DETAIL

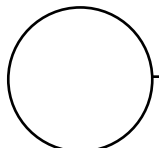


Architectural Metal Products, Inc.

1088 Bishop St. Suite 1227 • Honolulu, HI 96813 • Tel: (808)528-1790 • Fax: (808)528-1044
 3400 International Way • Fairbanks, AK 99701 • Tel: (907) 456-3089 • Fax: (907)456-4079
 E-Mail: amp@polarnet.com • Toll Free: 1-800-267-1296



Project:	
Location:	
Owner:	
Arch/Eng:	
Contractor:	
Drawn By:	Page: of



TYP. VENTED RIDGE DETAIL



Architectural Metal Products, Inc.

1088 Bishop St. Suite 1227 • Honolulu, HI 96813 • Tel: (808)528-1790 • Fax: (808)528-1044
 3400 International Way • Fairbanks, AK 99701 • Tel: (907) 456-3089 • Fax: (907)456-4079
 E-Mail: amp@polarnet.com • Toll Free: 1-800-267-1296